

HD Series Wafer Butterfly Valve according to API609

Phenolic Backed Cartridge Seat BFV with Bare Shaft

Face to Face Standard: DIN EN558-1 Series 20,API609

Flange Connection Standard: EN1092 PN10/16,ANSI B16.1

Top Flange Standard: ISO 5211



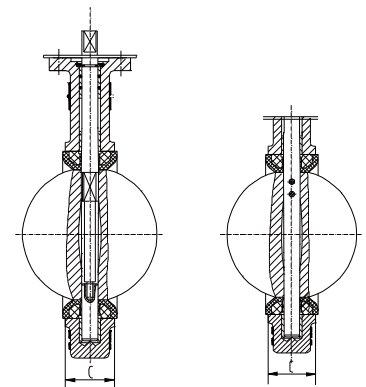
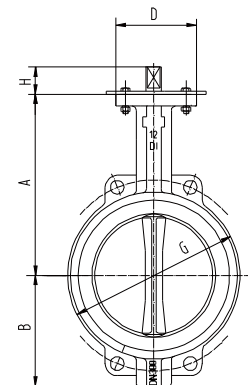
Range of Application : Water, Sea Water, Air, etc.				
Size	Pressure Testing			Working Temperature °C
	PN	Shell	Sealing	
DN40-DN500	1.0/1.6 Mpa	1.5/2.4 Mpa	1.1 /1.7 Mpa	-45 ~ +150



Materials of Main Parts

Parts Name	Materials	Parts Name	Materials
Body	CI / DI / WCB / CF8M	Seat	NBR / EPDM / Viton
Disc	DI / CF8M / CF8 / Bron	Bushing	Lubrilation Bronze
Shaft	SS410 / 304 / 316 / 43	End Cover	CI / DI / WCB / CF8M

Size	Face to face length acc. to DIN EN 558-1 Series 20 C mm	Dimensions				Weight Kg
		A mm	B mm	G mm	H mm	
50	43	161	80	100	28	2.8
65	46	175	89	120	28	3.5
80	46	181	95	127	28	3.7
100	52	200	114	156	28	5.4
125	56	213	127	190	28	7.7
150	56	226	139	212	28	11
200	60	260	175	268	38	17
250	68	292	203	325	38	26.0
300	78	337	242	403	38	41
350	78	368	267	436	45	52
400	102	400	329	488	51	75
450	114	422	343	539	51	99
500	127	480	381	593	57	130
600	154	562	479	780	70	240



Without Pin

With Pin

